



V8F SERIES

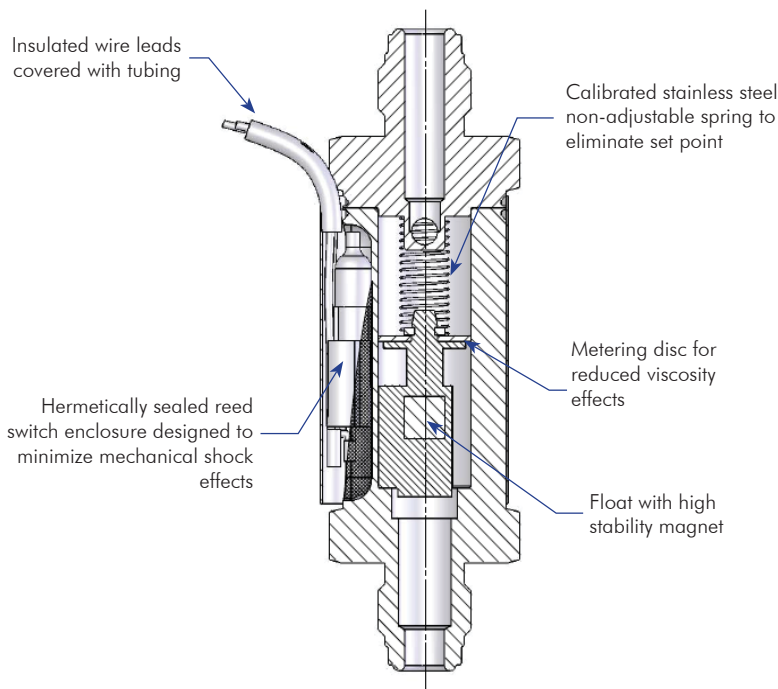
V8F INLINE GAS FLOW SWITCHES

V8F SERIES

The V8F series flow switches are certified SIL 3 safety capable and contains only one moving part resulting in an extremely reliable option for gas flow applications. The V8F flow switch utilizes an internal float and magnet assembly that is displaced upon flow, the displacement of the magnetic field relative to a fixed hermetically sealed reed switch results in opening or closing of the electrical contacts.

The V8F series flow switches have been utilized extensively in semiconductor applications, comply with European safety requirements and bear the CE part marking and are also UL recognized under file number E179859.

FEATURES



- **Factory set to customer specifications**
- **Only one moving part**
- **Compact inline design**
- **Low pressure drop**
- **Corrosion resistant wetted materials**
- **Certified SIL 3 Safety Capable**
- **Welded Construction**
- **Leak tested to 1×10^{-9} cc/sec He**



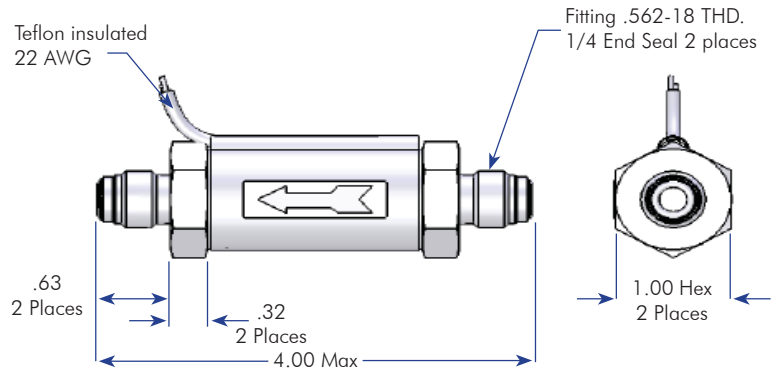
All V8F series flow switches are now SIL Certified to IEC 61508 and ISO 13849 standards. These standards define functional safety standards that are applicable to various industries including the semiconductor market. The certification requires a rigorous product evaluation to ensure the product meets its intended function with the highest levels of reliability. The independent certification process included items such as:

- Detailed Failure Modes, Effects, and Diagnostics Analysis (FMEDA)
- Audit of field failure data to confirm the accuracy of the FMEDA analysis
- Audit of Design and Development processes
- Verification activities and documentation
- Quality System Audit
- Acceptance Test Procedure Audit
- Life Cycle Data validation

V8F SERIES



V8F's are impervious to harsh chemicals due to their 316L stainless steel construction. An inline design and availability with various end fittings simplifies integration of these flow switches. Switches can be specified for horizontal or vertical mounting.



V8F SPECIFICATIONS	
Available Settings	0.02 to 3.5 SCFM
Deadband	10% of Setting
Repeatability	5% of Setting
*Proof Pressure	1.5X Operating Pressure
Operating Temp. Range	40° to 125° F (consult factory for higher temps)
Finish	Passivate 316L SS
Media Type	Gas
Wetted Materials	Stainless Steel/PTFE
Electrical Rating	0.25 Amp Max 3.0 Watts Max at 28 VDC
Media Connections	1/4" End Seal type, Compression type
Electrical Connections	Free Leads
Crimp Type Connector	Amp Type or customer specified
Approvals	UL, CE, ISO 13849
Safety Integrity Level	SIL 3 Capable
Warranty	18 Months

* Specification are subject to change. Please consult factory for current specification or custom part configurations.

HOW TO ORDER

Model	V8F		*Sample
	V8F		V8F
Material	SS = Stainless Steel		SS
Setting	Media: N = Nitrogen, A = Air, O = Other (specify other)		A
	Actuation: I = Increasing flow, D = Decreasing flow		I
	Setting: Enter the setting in slpm		2 slpm
System Line Pressure	PSIG		80 PSIG
Fitting Type	C = Compression type	V = 1/4" End Seal type	V
Electrical	Contact Position: NC = Normally closed at 0 flow, NO = Normally open at 0 flow, SPDT		NO
	Lead Length: Enter Lead Length (24" standard)		24
	Electrical Interface: L = Free Leads, C = Crimp Type Connector		C = Amp type

*The above configuration is for a stainless steel V8F gas flow switch for use with air. The unit is NO and is calibrated for 2 slpm on increasing flow and has an Amp type connector with 24" wire leads.



UNITED ELECTRIC
CONTROLS

Precision Sensors Division

340 Woodmont Road
Milford, CT 06460 USA
Telephone: 203.877.2795 Fax: 203.877.8752
Email: sales@precisionsensors.com
www.precisionsensors.com



PSI 0524 VF-KC