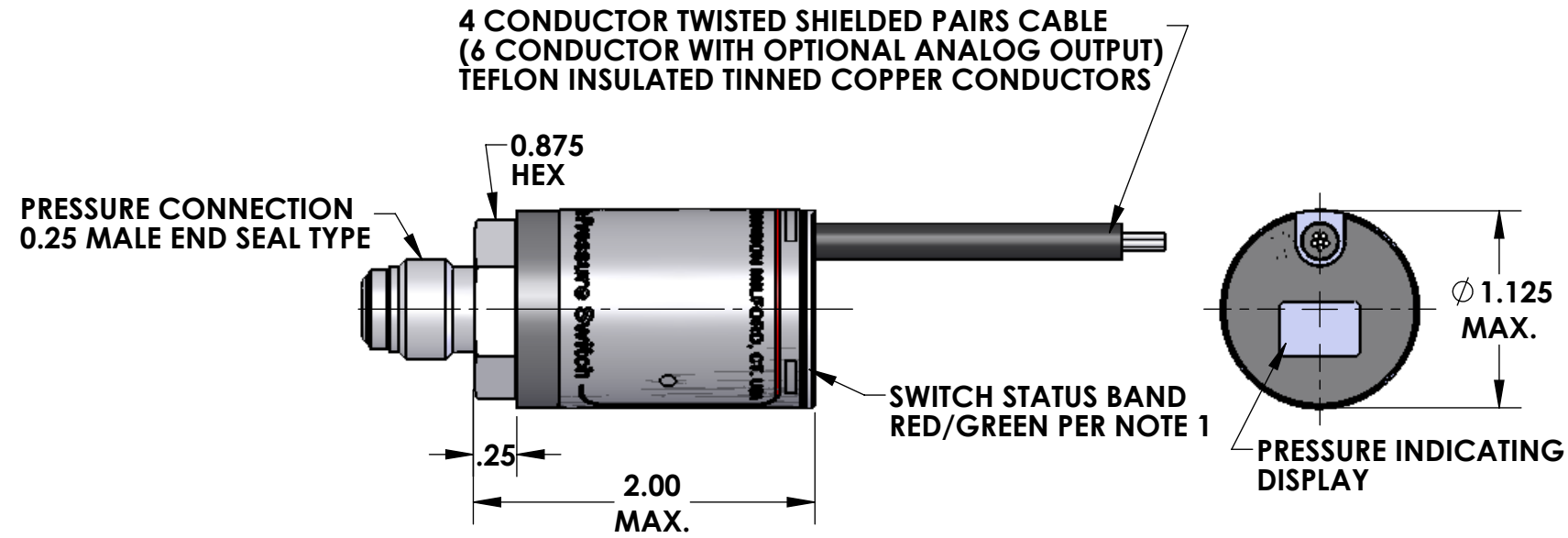
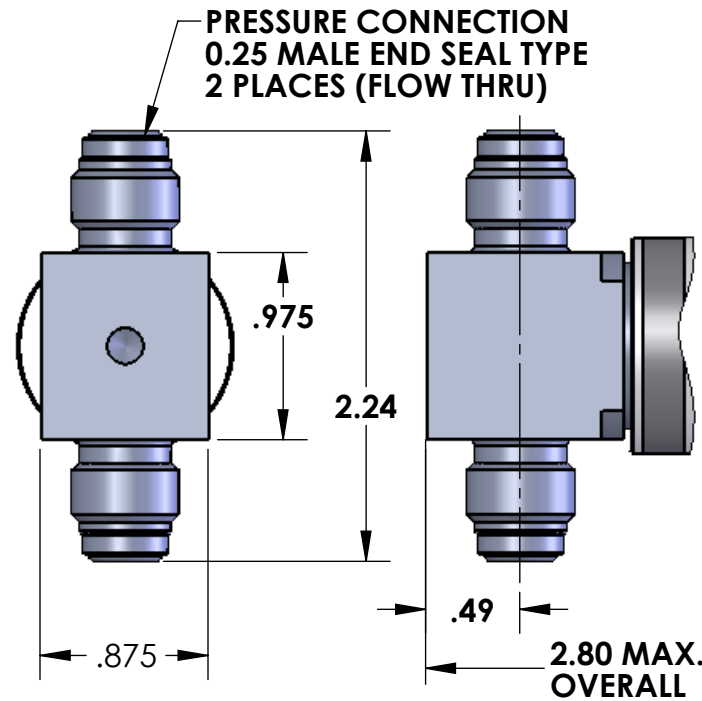


D



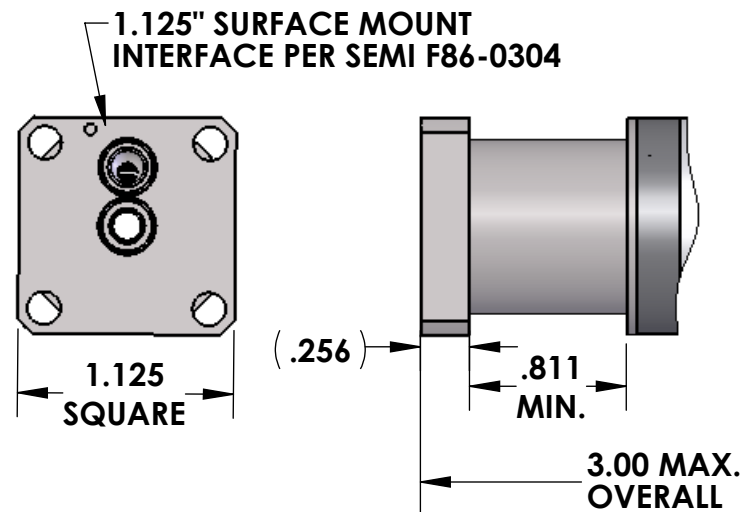
D

C

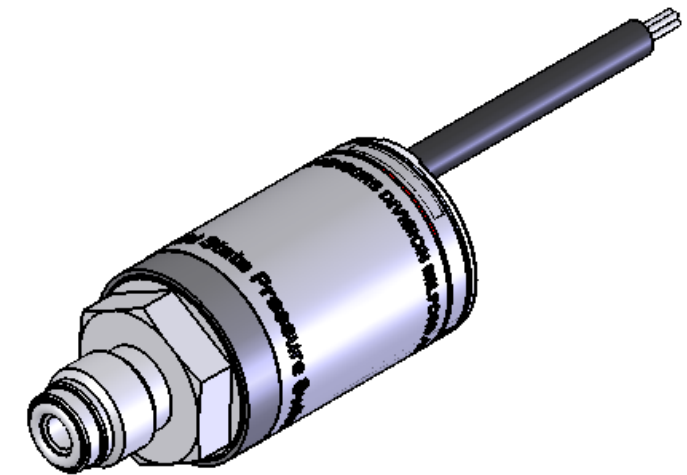


C

B



B



A

UNLESS OTHERWISE SPECIFIED DIM. ARE IN INCHES AFTER PLATING INTERPRET DRAWING PER DOD-STD-100 DRILLED HOLE LIMITS PER AND10387 THREADS PER MIL-S-7742 BREAK SHARP EDGES .003/.015 FILLET RADII .005/.020 MACHINED SURFACE 63 RMS PER ANSI B46.1 MACHINED SURFACES ON A COMMON AXIS CONCENTRIC WITHIN .005 T.I.R. AND WITHIN .002/IN.	NAME/DATE		<b>PRECISION SENSORS</b> DIVISION OF UNITED ELECTRIC CONTROLS 340 WOODMONT ROAD MILFORD CT 06460 U.S.A.	
	DRAWN BY	JOHN NATOLI		
	CHECKED BY		<b>STASET SAFETY PRESSURE SWITCH</b>	
	ENG APPR.			
	RELEASED		DWG. NO. 14314	
USED ON	FRACTIONS: ±1/32      ANGLES: ±2° X.X DEC.      X.XX DEC.      X.XXX DEC. ±0.030      ±0.015      ±0.005	COMMENTS:	SHEET 1 OF 1	